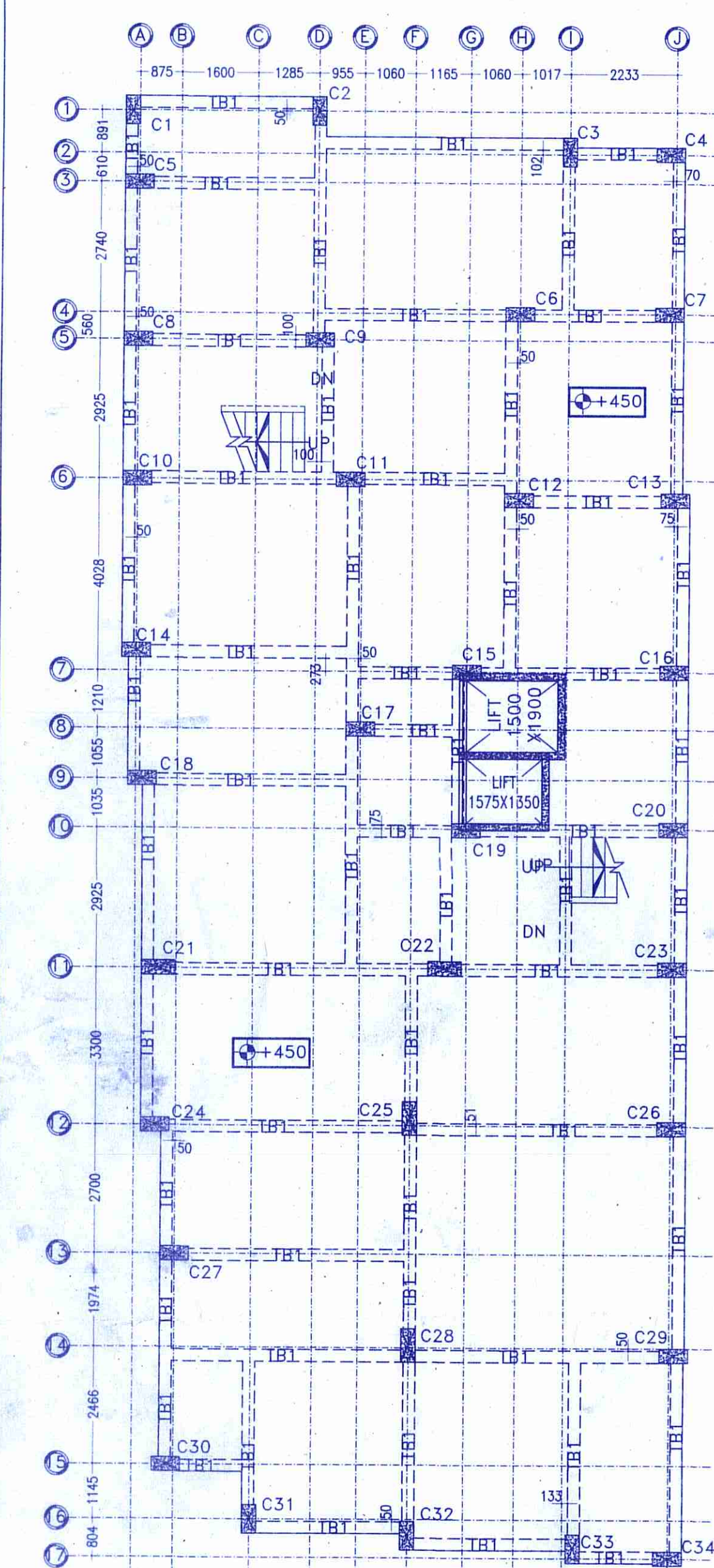
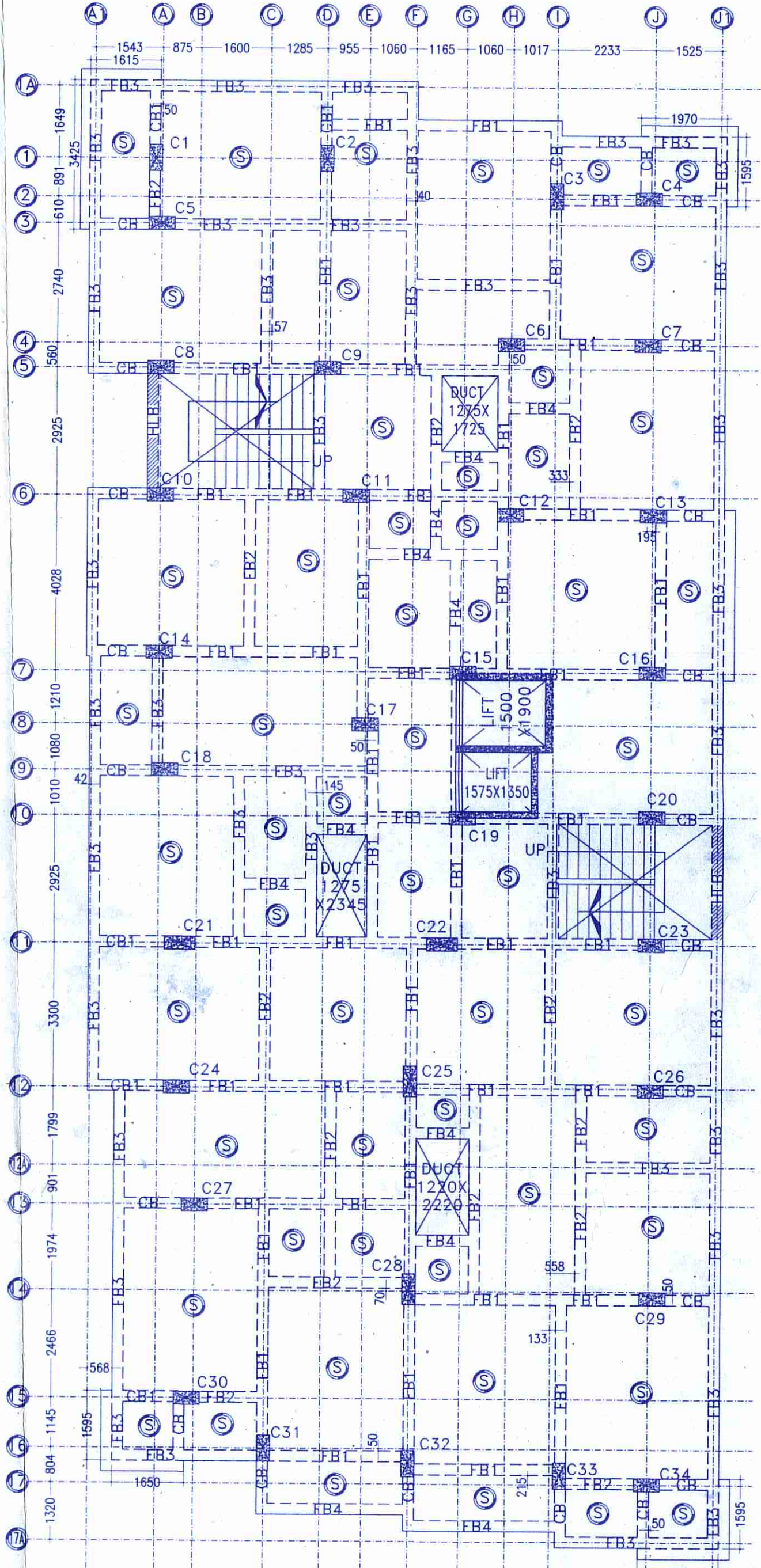


**PROJECT NAME:-**  
 STRUCTURAL DRAWING OF PROPOSED (G+8) NINE STORED RESIDENTIAL APARTMENT BUILDING OF MR. SURAJIT BANIK S/O MR. SUBHASH CHANDRA BANIK, SMT. SAMARPITA SAHA BANIK W/O LITAN SAHA. R.S PLOT NO.-43/67, L.R PLOT NO- 191,192, J.L NO.-R.S-96, L.R-111, KHATIAN NO.-R.S-67,148,328, L.R-1972,1980. MOUZA-TETIKHOLA, P.S-NTPS, DIST- PASCHIM BARDHAMAN, WEST BENGAL.

- NOTES :-**
- (±) 0.00 M. LEVEL REFERS TO E.G.L.
  - UNLESS OTHERWISE STATED ALL CONSTRUCTION ACTIVITIES SHALL BE CARRIED OUT CONFORMING TO RELEVANT (INDIAN) STANDARD CODES OF PRACTICE.
  - ALL DIMENSIONS ARE IN MILLIMETERS & LEVELS ARE IN METER, EXCEPT OTHERWISE MENTIONED ONLY WRITTEN DIMENSIONS SHALL BE FOLLOWED. ALL LEVELS GIVEN IN STRUCTURAL DRAWINGS ARE IN ACCORDANCE WITH ARCHITECTURAL DRAWINGS AND INDICATE STRUCTURAL LEVEL ONLY (WITHOUT FINISH). HOWEVER ARCHITECTURAL DRAWING TO BE COORDINATED FOR ALL LEVELS.
  - ALL STRUCTURAL DRAWINGS SHALL BE READ ALONG WITH THIS DRAWING AS WELL AS RELEVANT ARCHITECTURAL DRAWINGS.
  - ANY DISCREPANCY IN THE STRUCTURAL AND ARCHITECTURAL DRAWINGS
  - UNLESS OTHERWISE SPECIFIED ALL REINFORCEMENT TO BE USED SHALL BE T.M.T. BARS OF GRADE Fe-500/500 D CONFORMING TO IS-1786-2008.
  - ADEQUATE CHAIR BARS TO BE PROVIDED TO KEEP THE TOP REINFORCEMENT IN PROPER POSITION.
  - UNLESS OTHERWISE STATED LAP LENGTH OF BARS SHALL BE DEVELOPMENT LENGTH=50xBAR DIA.
  - UNLESS OTHERWISE SPECIFIED DISTRIBUTION REINFORCEMENT SHALL BE 8 T @ 200 C/C
  - CONCRETE COVER TO MAIN REINFORCEMENT SHALL BE AS FOLLOWS:  
 a) Beam:-25 mm, b) Column:-40mm, c) Slab:-15mm, d) Footing:-50mm, e) R.C.C Wall:-20 mm, f) Stair:- 20mm.
  - GRADE OF CONCRETE WILL BE M30 FOR COLUMN AND M25 FOR BEAM AND SUB STRUCTURE AS PER IS: 456:2000.
  - DEVELOPMENT LENGTH 50XD FOR LAP & SPICES SHOULD BE PROVIDED AS PER THE PROVISIONS LAID DOWN IN SP34:1987



7 TIE BEAM LAYOUT PLAN  
SCALE: 1:100



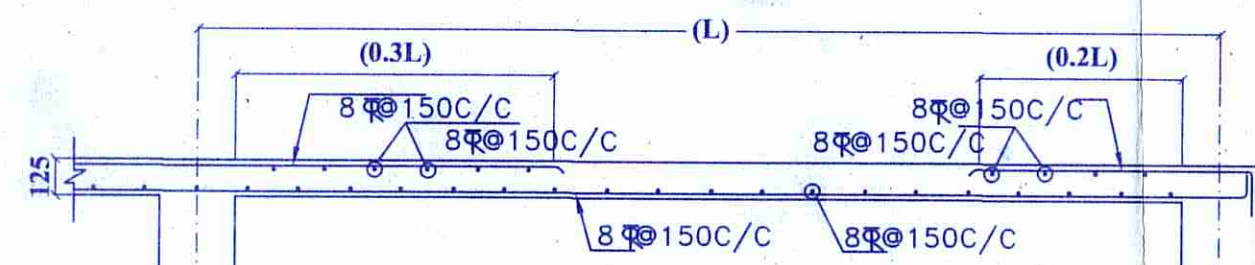
8 FLOOR BEAM LAYOUT PLAN  
SCALE: 1:100

TABLE NO:-04 (SCHEDULE OF SLAB)

Slab Mkd	Thickness (mm)	REINFORCEMENT Top.		REINFORCEMENT Both.	
		MAIN	DISTRIBUTION	MAIN	DISTRIBUTION
S	125	8@150mm/C	8@150mm/C	8@150mm/C	8@150mm/C

TABLE NO:-05 (SCHEDULE OF STAIR CASE)

WAIST SLAB	Thickness (mm)	REINFORCEMENT Top.		REINFORCEMENT Both.		THICKNESS RISER
		MAIN	DISTRIBUTION	MAIN	DISTRIBUTION	
	150	10@125mm/C	8@125mm/C	10@125mm/C	8@125mm/C	150



11 DETAILS OF SLAB(S)  
SCALE: N.T.S

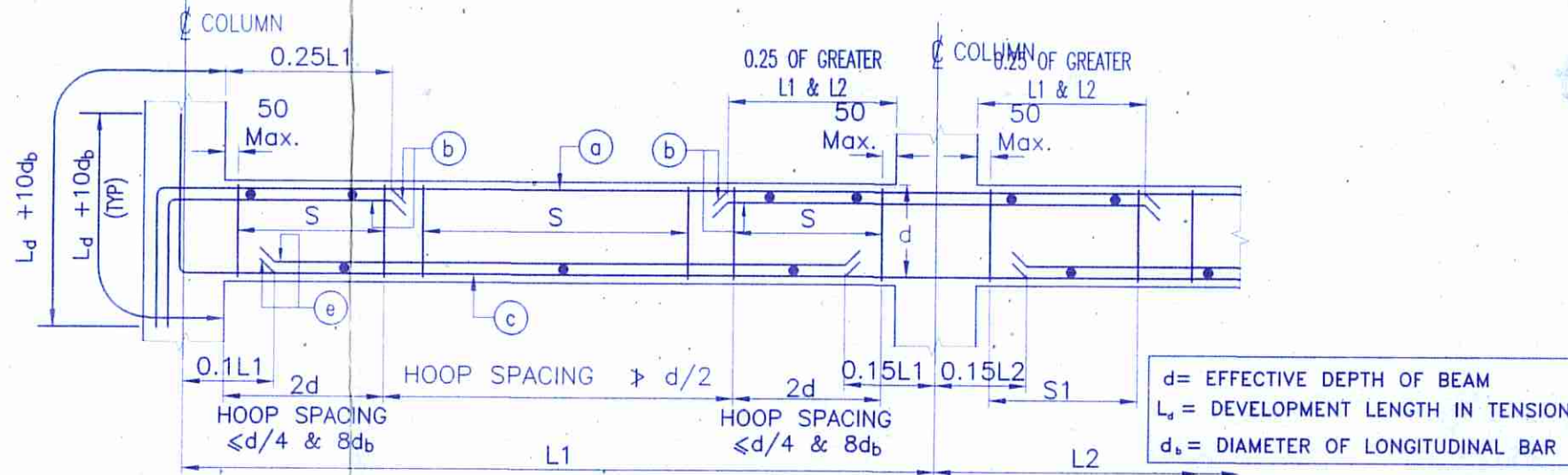
SIGNATURE OF ARCHITECT:-

OFFICE USED:-

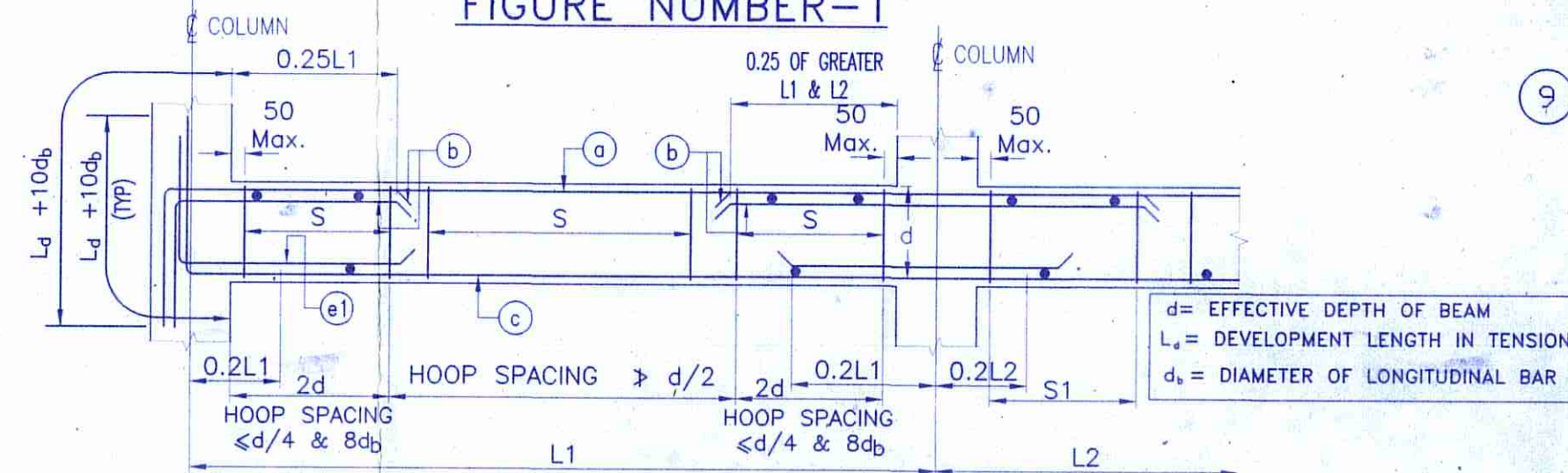
SIGNATURE OF GEO-TECHNICAL ENGINEER:-

VAISHNAVI KANDATHALYI  
CONSULTING ARCHITECT  
CA/2018/101108

RAJAJI MAITY  
Civil / Geotechnical Engineer  
CE, MGS - LM 15181  
Lic. No. - 18PM162/AMC  
G.I.D.S., Durgapur - 16



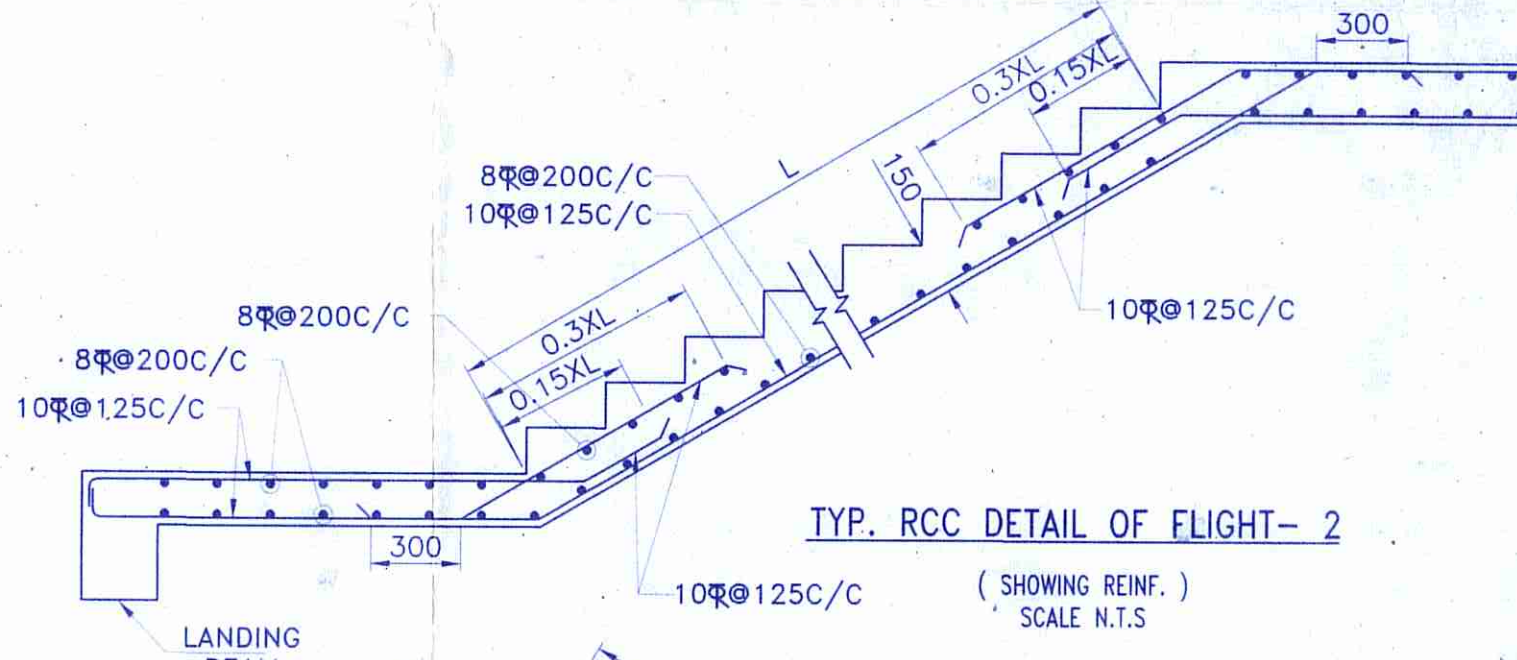
TYPICAL ARRANGEMENT OF REINFORCEMENT IN BEAM  
FIGURE NUMBER-1



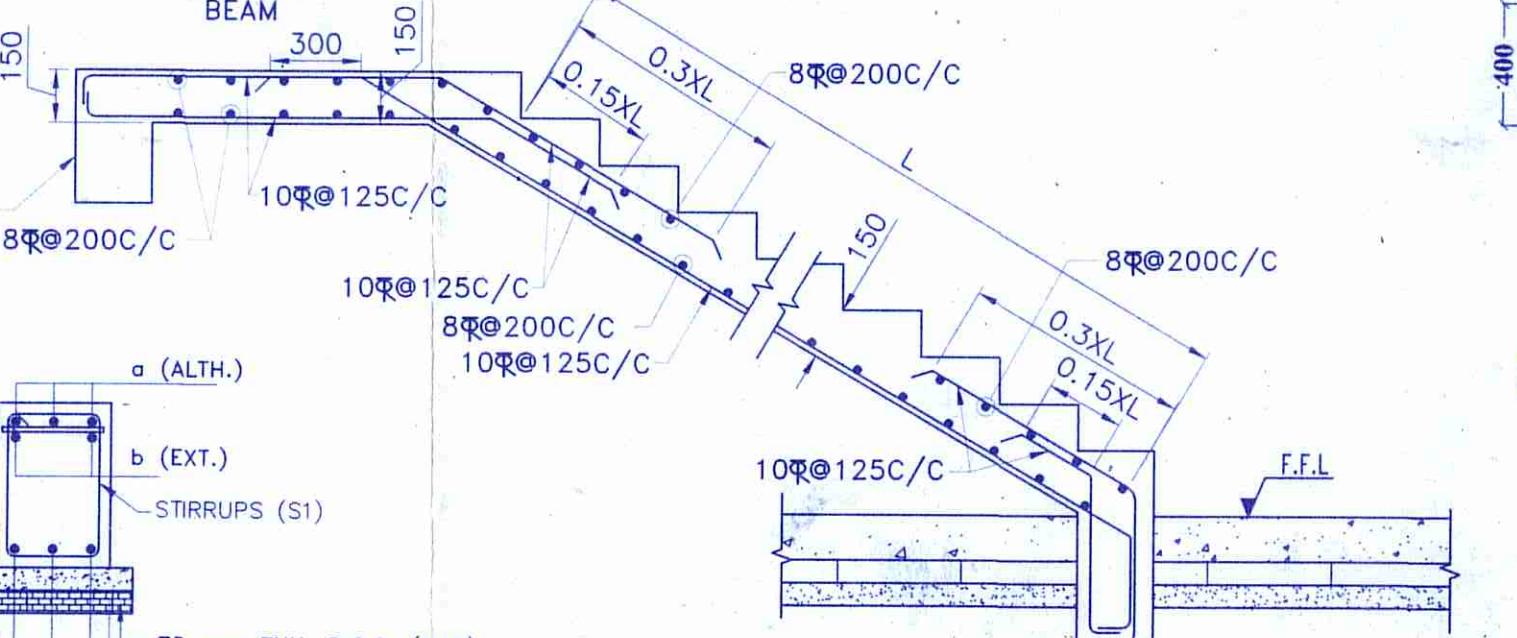
TYPICAL ARRANGEMENT OF REINFORCEMENT IN BEAM  
FIGURE NUMBER-2

TABLE NO:-01 (SCHEDULE OF BEAMS)

Beam Mkd	Size	All Through		Ext. at End		Ext. at Cont.		S T I R R U P S	
		Top(a)	Bot.(c)	Supp. (b)	Span. (e)	Supp. (b)	Span. (e)	Support	Span
FB1	250 450	2-16R	2-16R	2-16R	2-16R	2-16R	2-16R	2L-8@125C/C	2L-8@150C/C
FB2	250 400	2-16R	2-16R	1-16R	1-16R	1-16R	1-16R	2L-8@125C/C	2L-8@150C/C
FB3	250 400	2-16R	2-16R	1-16R	1-16R	1-16R	1-16R	2L-8@125C/C	2L-8@150C/C
FB4	250 300	2-16R	2-16R	1-16R	1-16R	1-16R	1-16R	2L-8@125C/C	2L-8@150C/C
CB	250 450	4-25R	3-25R					2L-8@125C/C	2L-8@125C/C
CB1	250 500	6-25R	3-25R						
HLB	250 450	2-16R	2-16R	1-16R	1-16R	1-16R	1-16R	2L-8@125C/C	2L-8@150C/C
TB1	250 450	2-16R	2-16R	2-16R	2-16R	2-16R	2-16R	2L-8@125C/C	2L-8@150C/C

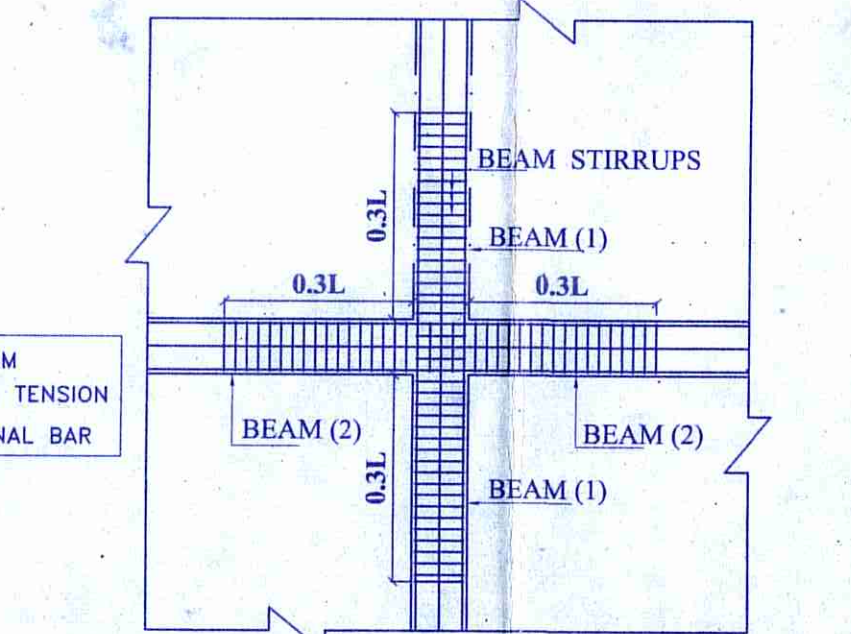


TYP. RCC DETAIL OF FLIGHT-2  
(SHOWING REINF.)  
SCALE N.T.S

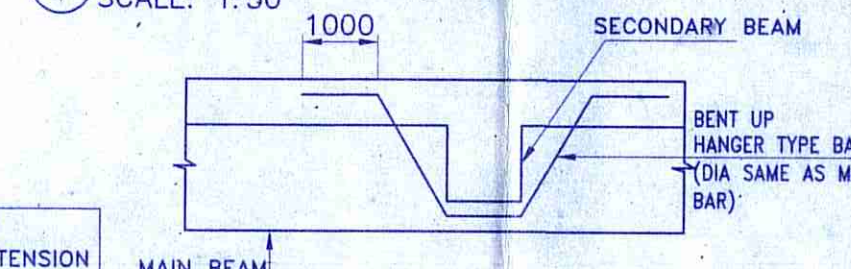


TYP. RCC DETAIL OF FLIGHT-1  
(SHOWING REINF.)  
SCALE N.T.S

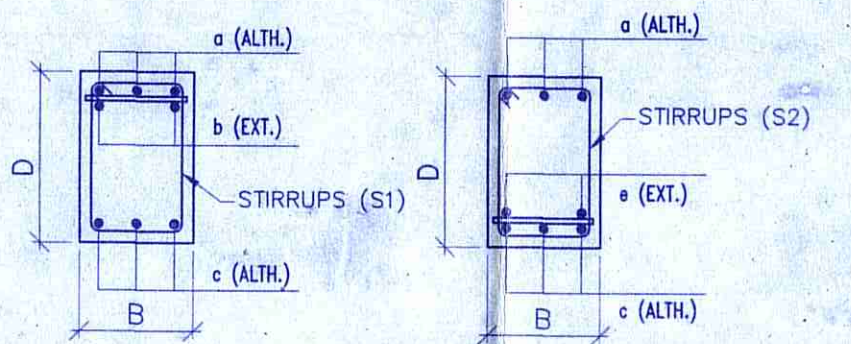
12 DETAILS OF STAIR  
SCALE: N.T.S



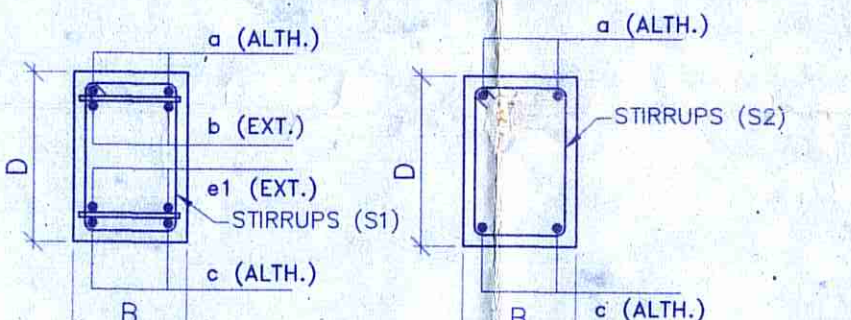
9 DETAILS OF CROSS BEAM JUNCTION  
SCALE: 1:50



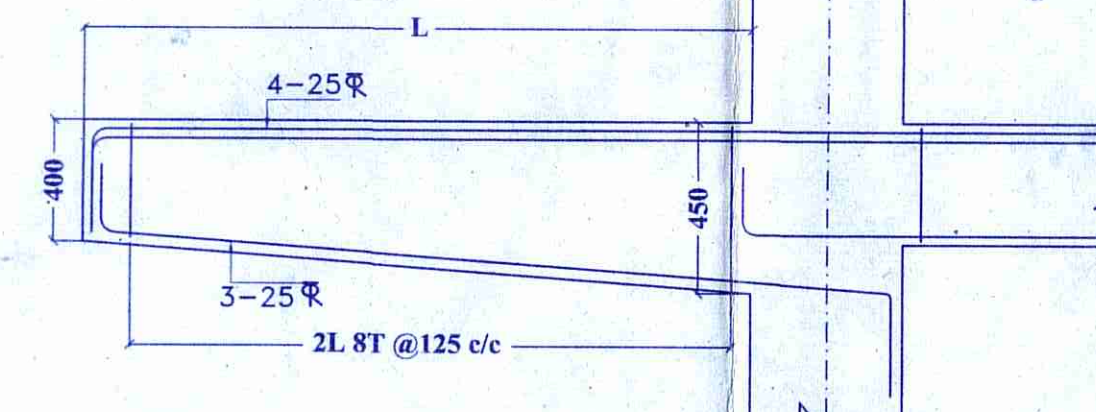
BENT UP HANGER TYPE BARS AT MAIN BEAM & SECONDARY BEAM JUNCTIONS



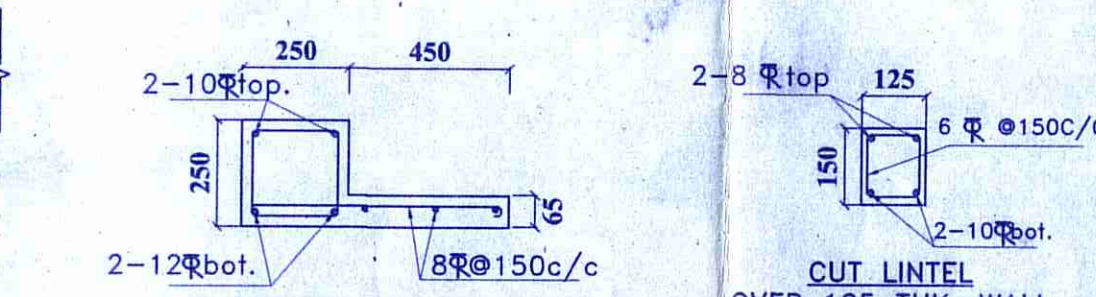
AT SUPPORT AT SPAN  
TYPICAL CROSS SECTION OF BEAM  
FIGURE NUMBER-1



AT SUPPORT AT SPAN  
TYPICAL CROSS SECTION OF BEAM  
FIGURE NUMBER-2



10 TYPICAL SECTION OF CANTILEVER BEAM  
SCALE: N.T.S



CONTINUOUS LINTEL WITH CHAJJA ALONG EXTERNAL WALL  
scale-1:25

CUT LINTEL OVER 125 THK. WALL  
scale-1:25

SIGNATURE OF STRUCTURAL ENGINEER:-

Hirak Ghosh  
Structural Engineer  
Lic. No. - 18PM162/AMC  
DCE, B-11, G.I.D.S., Durgapur-16  
Contact No. - 933233331

SIGNATURE OF DEVELOPER/OWNER:-

Surajit Banik.  
Samarpita Saha Banik

VEITED BY:-

Approved Plan No. 29... on Meeting  
No. 29/21/21... Date: 17/07/2021  
Valid upto: 27/07/2022  
Prof. S. N. MUKHERJEE  
Professor  
CIVIL ENGINEERING DEPT.  
JADAVPUR UNIVERSITY,  
KOLKATA-700032, (WB)  
Molika Laha  
Pradhan  
Jenua Gram Panchayat

**TITLE:-**  
 FLOOR BEAM & TIE BEAM LAYOUT PLAN, SCHEDULE OF BEAM, DETAILS OF BEAM, CANTILEVER BEAM, CROSS BEAM JUNCTION, DETAILS OF STAIRCASE, DETAILS OF SLAB.

CHECKED BY : H.GHOSH SCALE : 1:100, 1:25.

DATE : 29.02.2020 REV-00

SHEET NO:- GIDS/STRU02-02

GIDS Engineering Pvt. Ltd.

(Architects, Engineers, Contractors and Business Solutions)  
 E-mail Id:- gidsbengal@gmail.com & gidsbengal.project@gmail.com

SPECIALIST IN CONSULTING, STRUCTURAL DESIGN, SURVEYING & SOIL INVESTIGATING

OFFICE:- C-29, 4th street, Doctor's Colony, City Centre Durgapur - 713216  
 Contact No:- +919333233331, +91769998140

